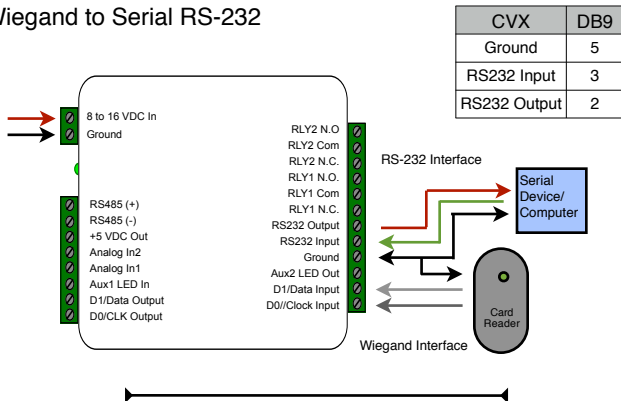
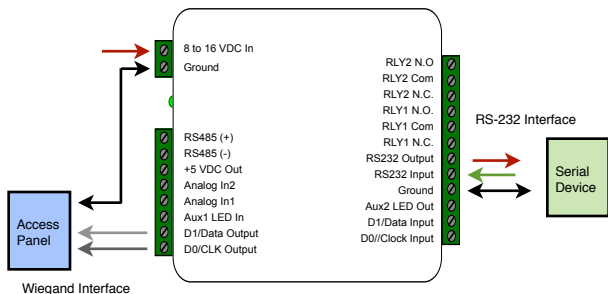


This document provides a quick reference to the typical CVX -1300 and other converter connections. For detailed information on specific functions and dip switch settings refer to the CVX-1300 operations manual.

Wiegand to Serial RS-232

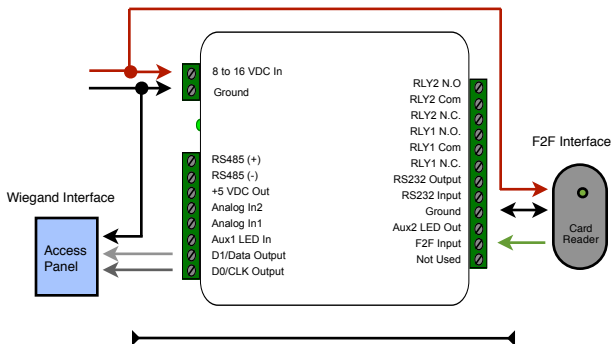


Serial RS-232 to Wiegand

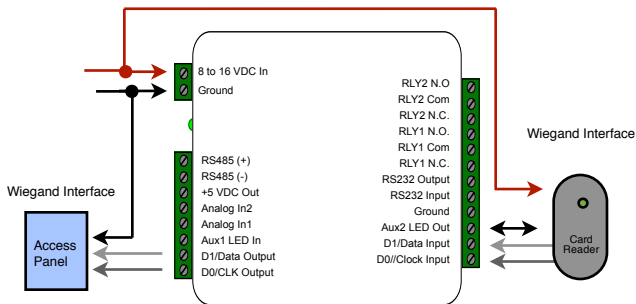


Complete operation manuals are available - Adobe PDF format - at www.cypresscomputer.com

F2F to Wiegand



Wiegand to Wiegand



When connecting wiegand readers, the devices must have a common ground.

The diagnostic LED will provide the operational status of the converter:

- Diagnostic LED OFF - No power
- Diagnostic LED Blinking Green - Unit is operating normally
- Diagnostic LED Red - Undefined DIP Switch Setting

F2F connections are one wire and UNSUPERVISED ONLY.

The typical RS-232 communications are 9600, 8, N, 1

The CVX-1300 is shipped in a Wiegand test mode, dipswitch switch 6 on.

