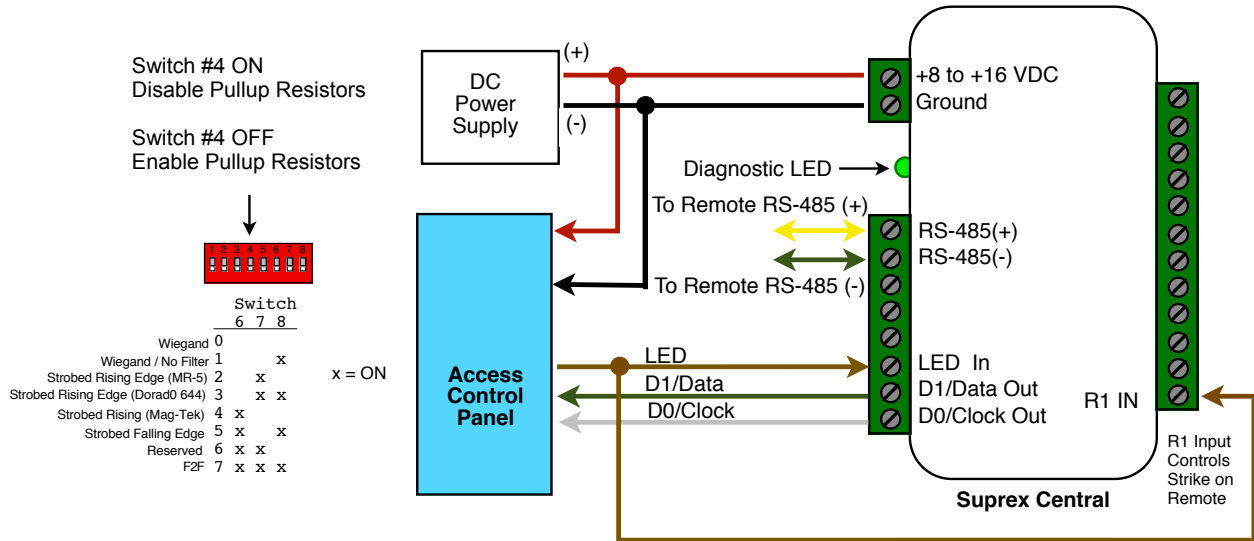


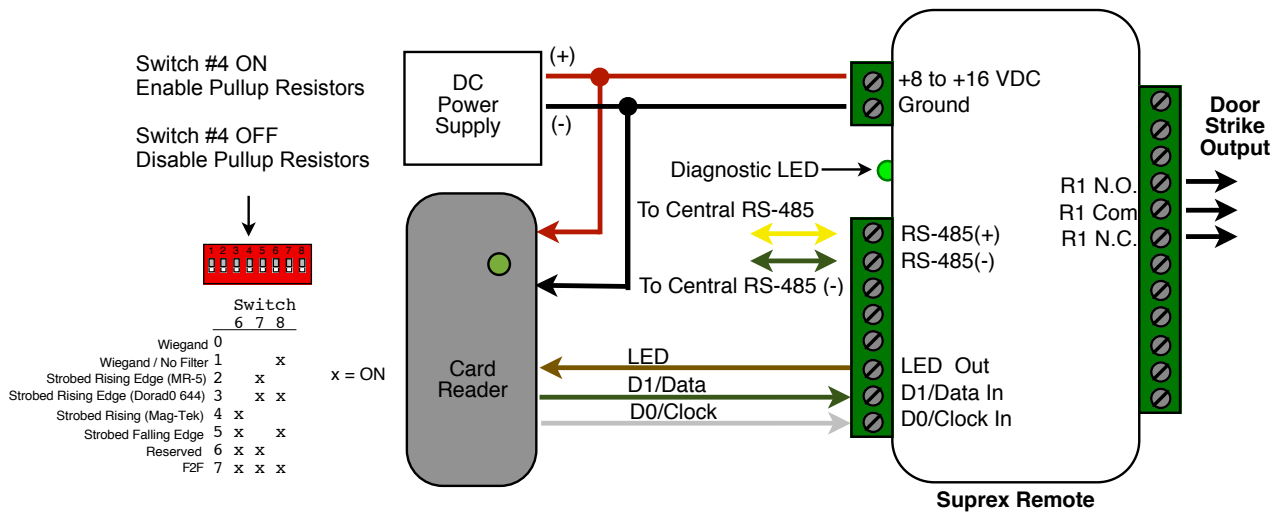
## SPX-1300 Central Quick Reference



Diagnostic LED will flash green if communication link is valid between Remote and Central

This Quick Reference provides typical connections for most panels and may not be correct for your specific application.

## SPX-1300 Remote Quick Reference



### NOTE:

Verify reader voltage requirements before application of power.

This Quick Reference provides typical connections for most readers and may not be correct for your specific application.

Refer to wiring diagram and user manual for complete connection and operational details.

Complete documentation is available at: <http://www.cypresscomputer.com>